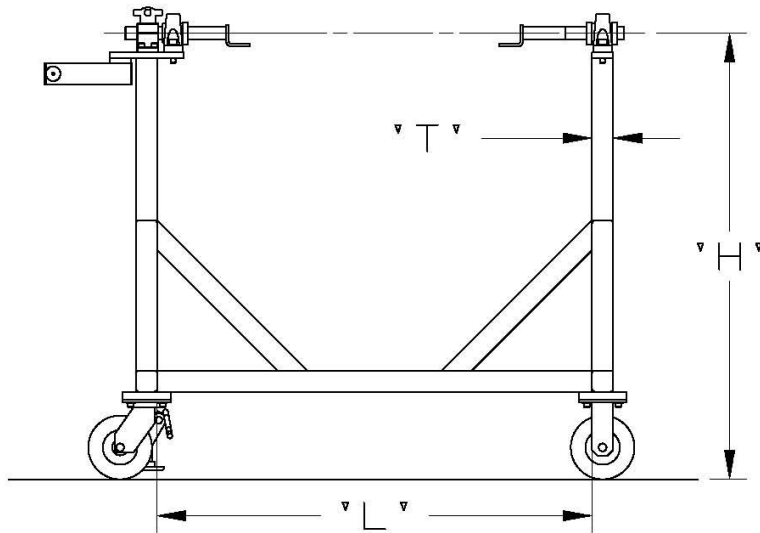




HOLDING FIXTURES



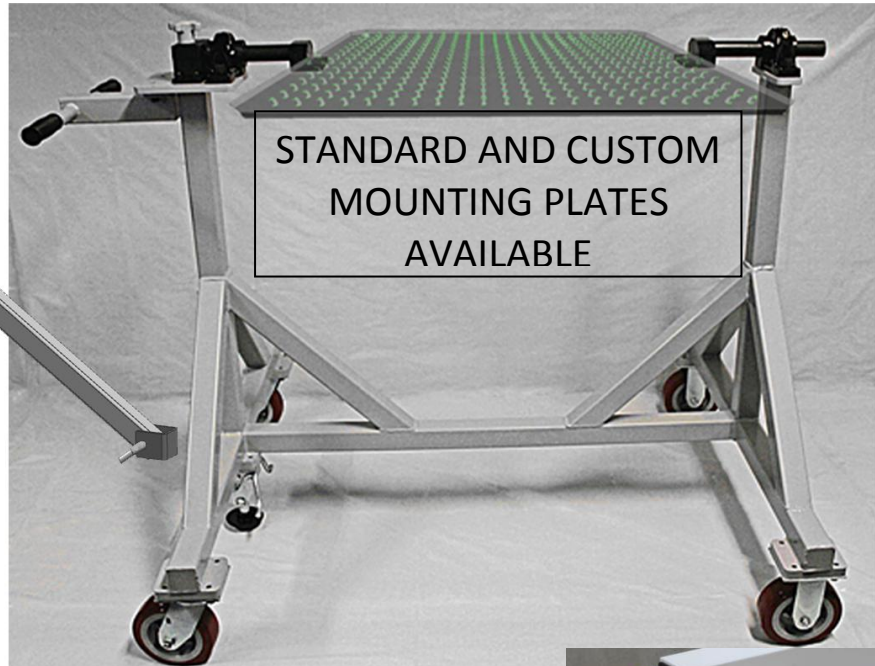
STANDARD FEATURES:
 STEEL FRAME CONSTRUCTION
 6" URETHANE CASTERS – (2) SWIVEL
 (2) FIXED
 FLOOR LOCK
 DURABLE POWDER COATED FINISH (GRAY)
 (2) PILLOW BEARING BLOCKS
 FRICTION BRAKE

"L" Dimension	"T" Dimension	Wall Thickness	"H" Dimension
48"	2" x 2"	1/8"	36" or 42"
48" – 60"	2" x 2"	3/16"	Standard
60" - 144"	3" x 3"	3/16"	

Custom Sizes Available – Call For Pricing and Lead Times

MAY BE EQUIPPED WITH PULL HANDLE OR TOW BAR

**TO ORDER CALL
 TOLL FREE 1-866-789-8674**



STANDARD AND CUSTOM MOUNTING PLATES AVAILABLE

OPTIONAL SWIVEL LOCKS



ALSO AVAILBLE SEPERATELY OR AS AN OPTION:
 IMC's CASTER TOE GUARD

